

Sungale

MODEL:PF801

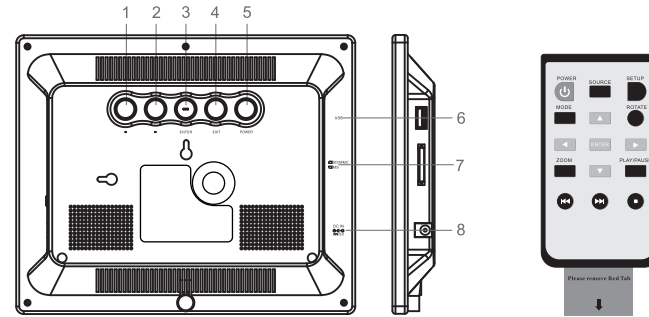
Quick Start Guide



QUICK START GUIDE

Navigation Controls

The components may differ slightly in appearance with the provided images.



MEANING:

1. : Press to move cursor right.
2. : Press to move cursor left.
3. **ENTER**: Press to enter or confirm.
4. **EXIT**: Press to exit.
5. **Power**: Press to turn the unit off or on.
6. **USB**: Insert a USB flash disk.
7. **SD/MMC/MS**: Insert one of the SD/MMC/MS cards each time.
8. **DC IN**: Insert the AC adapter to connect the unit with power outlet.

Remote Control function:

- POWER**: Press to turn the unit on or off.
SOURCE: Press to exit to the main menu directly.
SETUP: Press to set up picture display effect and mode, etc.
MODE: Press to change picture slideshow mode to Optimal or Original.
ROTATE: Press to rotate the picture which is playing.
 / / / : Press to move cursor up, down, left or right

1

QUICK START GUIDE

ENTER: Press to enter or confirm.

ZOOM: Zoom the picture which is playing.

PLAY/PAUSE: When playing a picture in full screen, press this button to pause or continue slideshow.

: Press to play the last picture.

: Press to play the next picture.

: When playing pictures in full screen, press this button to exit to thumbnail pictures list. (Except the condition that your DPF automatically slideshow pictures in the internal memory while no memory card was inserted. At this time, no matter which buttons except POWER and SETUP buttons on remote control that you pressed, DPF will go to main menu.)

Getting Started



Connecting your DPF machine with power by using the power adapter provided. The DPF machine will start up and go to main menu.



2

QUICK START GUIDE

After about 10 seconds without any operation, the DPF machine will auto slideshow pictures in the internal memory.

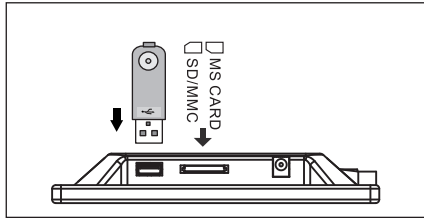
Press **HOME** to the main menu.

Loading photos from memory card or USB

Insert one of the SD/MMC/MS card to your digital photo frame according to follow direction showed by silk-printing.

You can also insert a USB flash disk which has pictures to the USB slot to play pictures stored in the USB.

The digital photo frame will auto slideshow pictures in your card or USB which has been inserted.

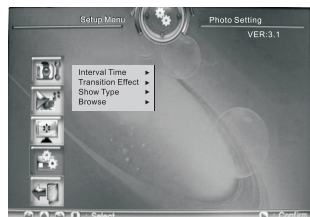


Press **HOME** or **SOURCE** to exit to the main menu.

Setup

1. Press **RIGHT** to move cursor to "Setup" and press "ENTER" to enter the setup interface.
2. Press "SETUP" button on remote control to setup interface directly.

There will be 5 icons listed at the left side. From top to bottom, they are Photo setting, auto play, display setup, Custom setup and exit respectively.



3

QUICK START GUIDE

You may press **DOWN** button to select one of the icons, and press **RIGHT** to enter the detailed setup options (press **LEFT** to return), then press **UP** or **DOWN** to choose what you want and press "ENTER" button to confirm the settings.

What you can setup

You can setup slideshow interval time, transition effect, show type in fit screen or full screen, browse in thumbnail mode or file manager mode, photo auto play or not, brightness and contrast, TFT Saturation, OSD language, play repeat mode and restore all of the settings to original state by selecting "Default".

Press **SOURCE** button to go to the main menu interface.

Calendar and Clock

Press **RIGHT** to move cursor to "Calendar" and press "ENTER" to confirm. Then you will enter the interface with 3 options: Display, Set Date and Exit.

Press "ENTER" to display calendar directly.

Press **DOWN** to select "Set Date" and press "ENTER" to enter.

Press **LEFT** **RIGHT** to move cursor and press **UP** **DOWN** to change the numbers.

Press "ENTER" to confirm after setting.

You may follow the same steps to setup clock.

Press **SOURCE** button to go to the main menu interface.

Edit

Press **RIGHT** to select "Edit" and press "ENTER" to the interface with 3 options: Copy, Delete and Exit.

You will enter into the interface with 3 options: Copy, Delete and Exit.

Delete pictures in your internal memory

If you haven't inserted a memory card, when you select "Copy" icon and press ENTER, it will not work and auto go to main menu. At this situation you can only delete pictures from internal memory. Even if you have inserted a memory card and then select "Delete", you can only delete pictures in internal memory and you can't delete pictures in the memory card.

4

QUICK START GUIDE

Copy pictures from memory card to internal memory

If you have inserted a memory card, you can select the copy icon and press ENTER to enter the memory card file list. Press **DOWN** to select the pictures that you want to copy and then press ENTER to confirm your selection, there will be a square around the selected pictures. After selecting the pictures that you want to copy from memory card to internal memory, press **RIGHT** button to select "Exit" and then **LEFT** button to select "Save", and press ENTER button to confirm. Then the pictures will be pasted to the internal memory.

Note: The DPF internal memory can only store around 10 pictures at most. If you have 10 pictures stored in the DPF internal memory, then you can't copy any more pictures from memory card to DPF unless you delete some pictures in the internal memory.

Press **SOURCE** button to go to the main menu interface.

Favorite

Press **RIGHT** to select "Favorite" and press ENTER to slideshow pictures in internal memory only.

Support

If you encounter an issue, resolve the issue in the following order.

1. Refer to the User's Manual.

- You can download the User's Manual from the support web site: www.sungale.com to your computer.

2. Visit the support site.

- For manual download and FAQs: www.sungale.com

3. Contact Sungale Support.

- Toll Free Call in the USA: **800-473-5156**
- Service email: info@sungale.com

5